

July 2020

Wednesday, July 1

Hymn of the Week on YouTube  
Zoom Book Study @ 7 p.m.

Sunday, July 5

Worship Service on YouTube  
Zoom SS Celebration @ 5 p.m.

Wednesday, July 8

Hymn of the Week on YouTube  
Zoom Book Study @ 7 p.m.

Sunday, July 12

Worship Service on YouTube  
Zoom Sunday School @ 10 a.m.

Tuesday, July 14

Texas Primary Runoff Election  
@ HP from 7 a.m. to 7 p.m.

Wednesday, July 15

Hymn of the Week on YouTube  
Zoom Book Study @ 7 p.m.

Sunday, July 19

Worship Service on YouTube  
Church Council on Zoom @ 9 a.m.  
Zoom Sunday School @ 10 a.m.  
HP provides meal to Micah 6 YDIC

Wednesday, July 22

Hymn of the Week on YouTube  
Zoom Book Study @ 7 p.m.

Sunday, July 26

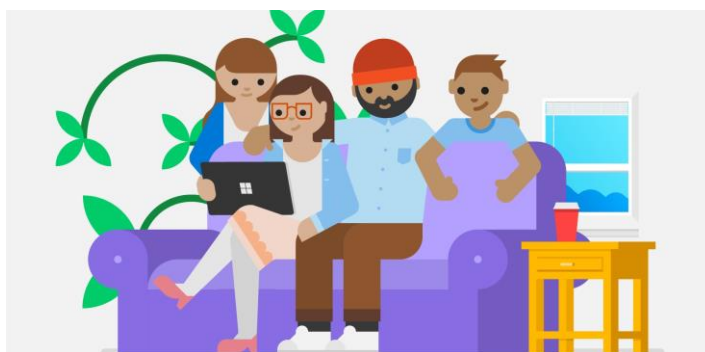
Worship Service on YouTube  
Zoom Sunday School @ 10 a.m.

Wednesday, July 29

Hymn of the Week on YouTube  
Zoom Book Study @ 7 p.m.

Our Sunday morning worship services will continue to be pre-recorded from homes and put together beautifully by Kay Greenhaw. [Visit our YouTube video feed](#) to see past services.

This month, Masyn, our Minister for Youth and Outreach preaches one Sunday and Rev. Cheryl preaches a sermon series on Parables.



**Sunday, July 5, 2020**

Masyn Evans-Clements preaches "*Hagar's Promise*" on Genesis 16:1-15

**Sunday, July 12, 2020**

Rev. Cheryl Kimble preaches "*Sitting Beside the Sea*" on Matthew 13:2-9, 18-23

**Sunday, July 19, 2020**

Rev. Cheryl Kimble preaches "*Grow Together*" on Matthew 13:24-30, 36-43

**Sunday, July 26, 2020**

Rev. Cheryl Kimble preaches "*Hidden Treasures*" on Matthew 13:31-33, 44-52

# From the Pastor...

July 2, 2020

My guess is that you've heard at least a million times how strange or weird the last few months have been. When we decided to shut things down almost 4 months ago we thought it would just be for a few weeks and now, there doesn't seem to be an end in sight.

My heart breaks every time I hear a story about a family who can't be together or, even worse, a person sick in the hospital and none of their family can be with them. Although there is so much division over masks, gatherings, and even over the disease itself, the one thing I keep in the front of my mind is: *how can I help keep this church healthy?*

As I've mentioned over and over, I read everything I can about what churches should be doing and how they should go about opening back up. My hope was that we could look in that direction really soon. However, as COVID-19 is really heating up in Austin, I'm just not sure where we are at this time.

One thing I'm so very proud of is that we haven't stopped being church. I know you all are continuing to check on one another, I see many of your faces on Zoom at various occasions, and I feel the prayers that many of you are lifting up for one another.

My hope is that if you need anything you won't hesitate to ask. The staff and I are here to help you in any way we can. In addition to that, so many of you have said back, "let me know if I can help", and that is so appreciated.

I'm so thankful to Walt, Rachel, Masyn, and Kim and David Balkum for their leadership in Zoom classes. Rusty has been a constant support and steady leadership for us, and the staff has continued to work tirelessly to keep everything moving.

I miss you all terribly but I pray daily for your continued safety.

Until we can meet again....peace be with you,  
Cheryl

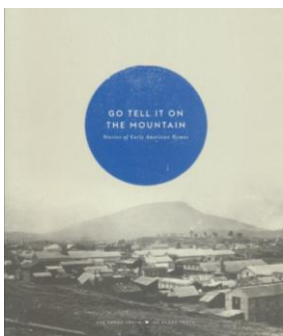


---

## Hymn of the Week & Hymn Book Study

Each Wednesday this month, our Director of Congregational Music Rachel Davis is leading two times of education & worship with her "Hymn of the Week" videos and the Book Study she leads on Zoom. Hymn of the Week videos are sent out by email and social media on Wednesday mornings.

The study is reading the book Go Tell it on the Mountain: Stories of Early American Hymns and takes place at 7:00 p.m. on Wednesday nights. All are welcome to attend the meetings, even if you only pop on to listen on the night one of your favorite hymns is discussed.



Here is the upcoming hymn schedule for the book study:

- July 1 - "Go Tell it on the Mountain"
- July 8 - "Count Your Blessings"
- July 15 - "Jesus Paid it All"
- July 22 - "When the Roll is Called Up Yonder"
- July 29 - "In the Garden"

---

## Zoom Sunday School with Walt Shelton

July 5 at 5 p.m.  
July 12, 19, and 26 at 10 a.m.

Walt Shelton will continue leading a Sunday School class on the online video chat platform Zoom.

As a break between units and to allow any vacationers time to return from holiday trips, **the class on July 5 will be an evening gathering at 5 p.m.** -

This will be "something completely different," including our start time. This will be a Zoom SS celebration for our group, a coffee or "happier" hour, whatever one's preference. We will note some key themes/emphases from topics we have covered, talk about topics to come (suggestions are welcome but Walt has a veto potential), recent books we might have read that one thinks some in the group might like, and simply enjoy one another's company.

**Beginning July 12 at 10 a.m., Walt will begin a unit titled "How many times did or does Jesus have to come for his followers to 'get it'?"** We will use a variety of passages here, including Mark 13, I Cor. 15, parts of I and II Thessalonians, and parts of some of the Gospels' Easter narratives.

---

**These educational classes are open to all to attend.**

A link to the Zoom meeting for each class is emailed out each week. Participation can stay at your comfort level – if you want to listen but not speak up or if you'd rather not turn your video feed on, anything is fine. And attending a class here or there as you are able is certainly welcome, too. Please email [office@hpbcaustin.org](mailto:office@hpbcaustin.org) if you need assistance accessing the Zoom links or help getting weekly updates from the church.

## Texas Primary Runoff Elections

Early Voting: June 29 – July 10

(No early voting on July 3 or 4)

Election Day: July 14

[Early Voting Sites](#)

[Election Day Voting Sites](#)

**Please note, take a mask when you go to vote and take an umbrella in case you must wait outside in the elements until numbers inside allow you to enter.**

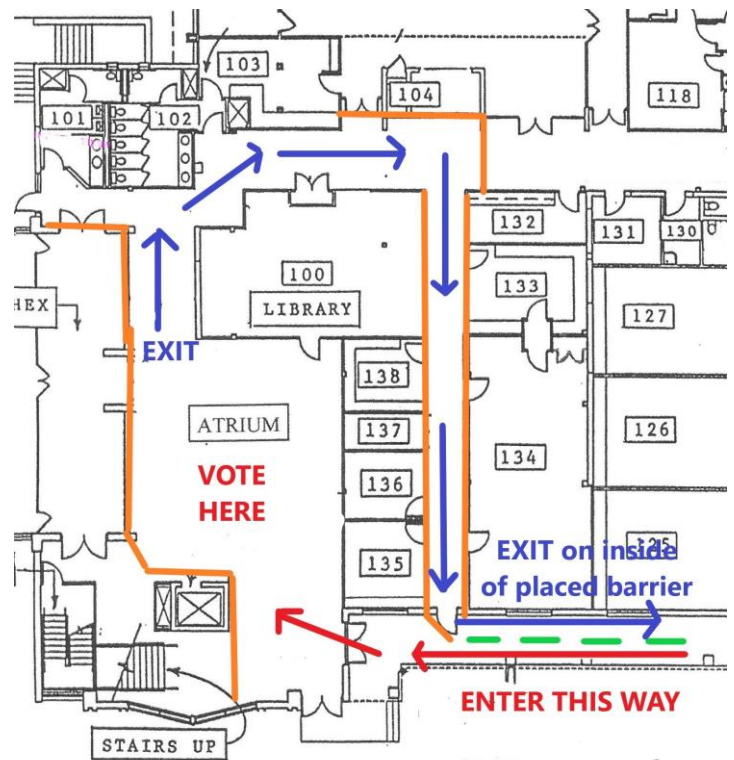
A lot of precautions are being taken to ensure each polling place is as safe as possible for the poll workers and voters. These precautions for Travis County include but are not limited to:

- Only 10 people at a time, including workers, will be allowed in polling place
- Working with current sites or new, larger sites to accommodate social distancing (Please note: grocery stores are not being used as polling places)
- Voters will be given hand sanitizer on their way in, will use a disposable, hypoallergenic finger cot to use to sign in on a touch screen and a Popsicle stick to make their choices on the voting machines
- An app called "Wait Times" and active website on election day so voters can check wait times at each site.

Use [this website to find out who's on your ballot](#) based on where you live.

Don't forget, if you are a registered voter in Travis County, you may vote at any of the Travis County polling places.

Voting plan in Highland Park downstairs Atrium



Orange is placed barrier to prevent walking elsewhere

Green is placed barrier for two-way traffic

## HP provides dinner meal for Micah 6 Youth Drop-In Center on July 19



A group has volunteered to prepare and deliver dinner to the Youth Drop-In Center on Sunday, July 19. Thanks in advance to Alana Mallard, Roxanne Shelton, Michelle Poncik, Cheryl Kimble, and Kelley DeCleene. If you would like to contribute funds toward the meal, please notify [office@hpbcaustin.org](mailto:office@hpbcaustin.org) & submit your donation to the church.



# *Congrats Graduates!*



The worship service on Sunday, June 7 featured a time to honor the recent graduates among us. A video displayed graduate information and Masyn Evans-Clements ended the time with a prayer and litany. Congratulations class of 2020 and we wish you all the best in your future endeavors.



**Victoria Chandler** graduated from Westwood High School and will be headed to Texas A&M University, majoring in Biology.

Victoria is the daughter of Greg and Tiffany Chandler. Victoria often blessed Highland Park with her gifts of playing the viola during worship services.



**Tessa Wilson** graduated with honors from Texas A&M University with a Bachelor of Science, Allied Health degree. While at A&M, Tessa held a number of leadership positions within her sorority, Chi Omega, including Personnel Chair, and Acts Chair for Songfest, the largest philanthropy event on A&M's campus. She hopes to pursue a career in the event planning industry, specifically wedding planning. Tessa is grateful for all the years of love, support and encouragement from her Highland Park family!



# Congrats Graduates!



**Derek Dillard** graduated Summa Cum Laude from Texas State University with a bachelor's degree in social work. In the spring he intends to pursue his master's degree (MSW) from the University of Texas.

During his internship at the Samaritan Center, Derek loved working with prisoners and veterans. Derek has moved back home with his cat Selena, and sometimes mom and dad when they are not at the lake.

After obtaining his Master's degree, Derek hopes to work in the prison system or the State Hospital.



**Brooke Ostrom** graduated with a Master's of Nonprofit Management from Regis University. She will continue working as Director of Marketing at Meals on Wheels Central Texas, serve on nonprofit boards, and read a lot!"



Radley Fischler graduated from Abilene Christian University with a Bachelors in Nursing and is currently working in Abilene on the Neurology Critical Care Unit. She loves this experience and plans to stay in Abilene while she completes her nursing residency program and then return to the Austin/Georgetown area long-term.



Hannah Hinckley graduated from Colorado State University with a degree in Food Science and Human Nutrition with a Nutritional Sciences concentration. She plans to continue her education with goals of ending up in research, teaching, or the health professions.

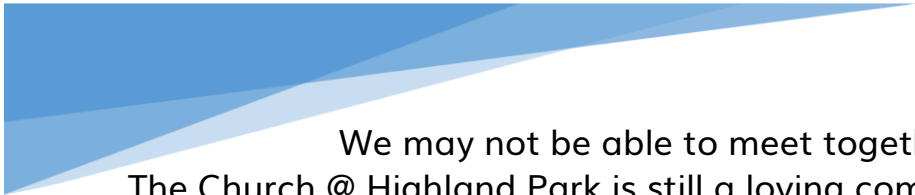


Cade Osgood graduated from Southwestern University and will next be pursuing a Master's of Science in Management at Abilene Christian University. Cade had a decorated four-year golf career at Southwestern University and made the Southwestern Dean's List in three semesters. Cade will join the golf team at Abilene Christian as a graduate transfer.



*Congrats Graduates!*





We may not be able to meet together in our building, but The Church @ Highland Park is still a loving community. Do you have a prayer request, update on yourself, or celebration from your family that you'd like to share? Photos are welcome, too! Please [email the church office](#) and we can share with everyone by email, in hopes to keep us socially-connected in this socially-distant world. Please be sure to mention if you are okay with it being shared over the church-wide email, or if you prefer for it to only be shared & prayed over during the Monday staff Zoom meeting.

---

Rev. Cheryl Kimble, Pastor  
Masyn Evans-Clements, Minister for Youth & Outreach  
Dr. C. Ray Burchette, Pastor Emeritus  
Abby Byrd, Children's Ministry Coordinator  
Rachel Davis, Director of Congregational Music  
Kelley DeCleene, Director of Church Operations  
Becky Dillard, Ministry Assistant  
Carolyn Doolittle, Church Bookkeeper  
Childcare workers: Maddy Bewley and Amanda Haley

the**church**@  
**Highland Park**